

ebaboard 0800

The grey tooling board for your patterns

Polyurethane and Epoxy Resins Boards and Blocks Silicones Auxiliaries



good edge stability

fine structure

excellent price-performance ratio



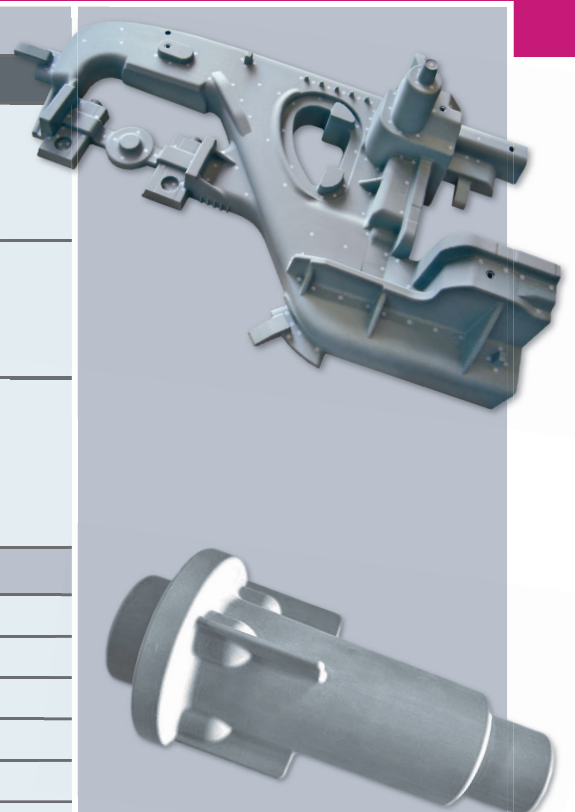
eboard Datasheet

ebalta
solution takes shape

ebaboard 0800 – The grey tooling board from ebalta

Pattern and mould makers and designers can look forward to **ebaboard 0800**. The grey board from ebalta has been especially developed to meet the requirements of foundry patterns for smaller quantities between 1000 and 1500 mouldings.

Produkt	ebaboard 0800
Colour	grau
Applications	Foundry patterns Master models Design models Laminating tools
Properties	very fine structure high strength values good edge stability very low generation of dust
Sales units (mm)	1495 x 500 x 50 1495 x 500 x 75 1495 x 500 x 100 1495 x 500 x 150 1495 x 500 x 200
Physical data	
Density at 20°C [g/cm ³]	0,80 ± 0,02
Shore hardness D	65 ± 2
Flexural strength (MPa)	31 ± 2
Flexural modulus (MPa)	1300 ± 100
Compressive strength (MPa)	31 ± 2
Heat resistance HDT [°C]	89 ± 2
Coefficient of linear expansion 20-50 °C [10 ⁻⁶ K ⁻¹]	ca. 69



Patterns made of ebalta 0800

Thanks to its good edge stability, very fine structure and excellent price-performance ratio, **ebaboard 0800** is also suitable for master models, design models and laminating tools. In particular, the optimised grey colouring enables higher performance in design evaluation. In addition, the new grey board **ebaboard 0800** is characterised by very low generation of dust during machining.

Inquire now at our International Account Manager Darrell Cross dcross@ebalta.de or at our International Distributors.

ebalta Kunststoff GmbH
Erlbacher Straße 100
91541 Rothenburg ob der Tauber
Germany

Tel.: +49 9861 7007-0
Fax: +49 9861 7007-77
info@ebalta.de
www.ebalta.de



ebalta has set itself the goal of keeping its ecological footprint as low as possible and offsetting the remaining CO₂ emissions. The proportion of recycled and renewable raw materials is being continuously increased and standardised. At the same time, a market-oriented price-performance ratio is strived for.

ebalta
solution takes shape